

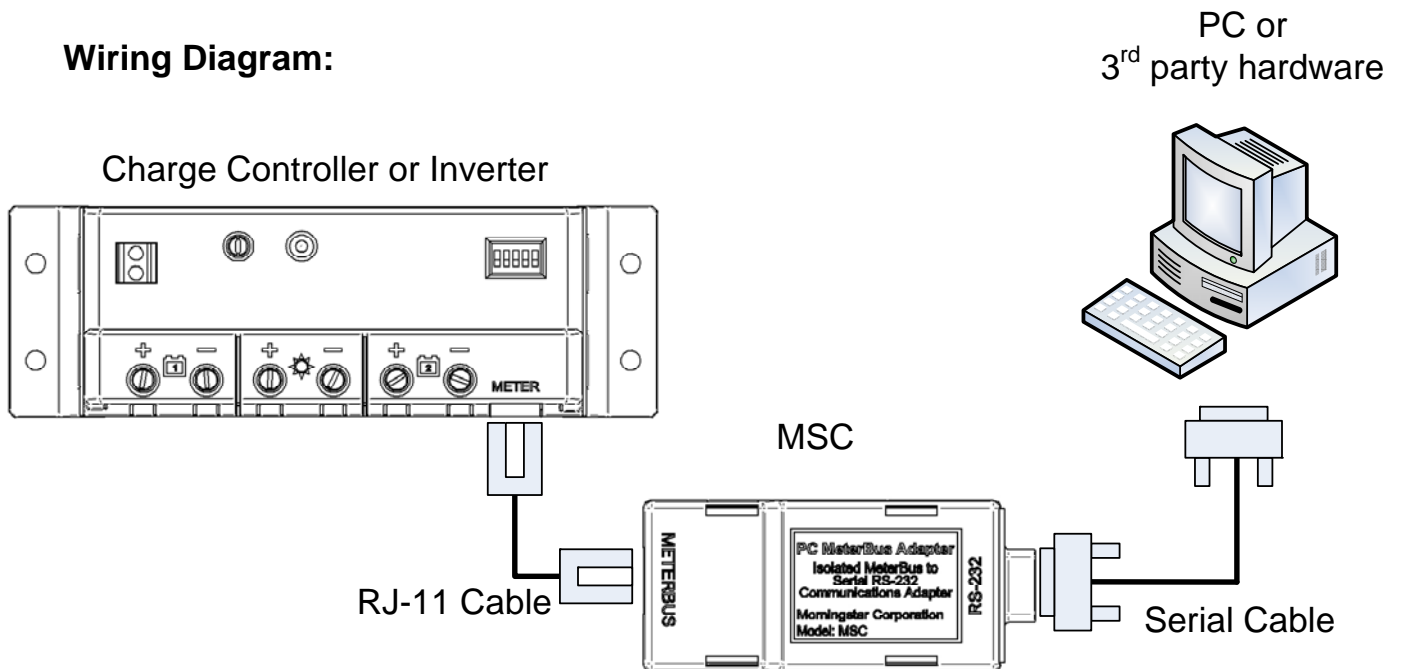
Morningstar PC Meterbus Adapter Instructions

Description:

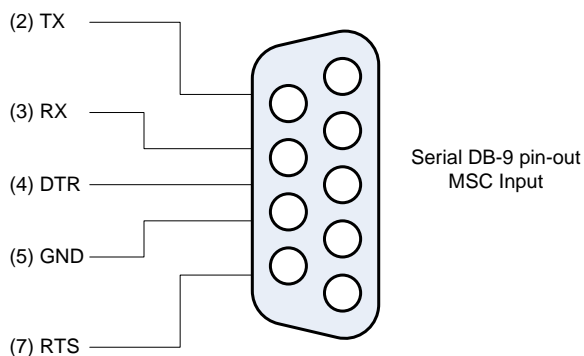
The PC Meterbus Adapter (model: MSC) converts the Morningstar MeterBus RJ-11 electrical interface to a standard RS-232 interface which allows communication between a PC and a Morningstar charge controller or inverter**. The MSC is required for programming custom charging setpoints and logging data using Morningstar's MSView PC software. The MSC is also required for serial communications with any 3rd party hardware that supports Modbus communication.

** controllers or inverters with a Meterbus connection that do not have a serial port or other communications port

Wiring Diagram:



RS-232 Pin-out:



COM Settings:

- 9600 BAUD
- 8 data bits
- 1 or 2 stop bits
- No parity
- No Hardware Flow Control

Notes:

1. Virtually all PC serial ports conform to the MSC pin-out requirements.
2. RS-232 GND is NOT the same ground as RJ-11! The MSC is fully opto-isolated on all pins.
3. + power must be asserted on DTR and/or RTS pins
4. - power must be asserted on RTS and/or RX pins

Modbus documentation including register locations, scaling, and definitions can be found on Morningstar's website at:

www.morningstarcorp.com