



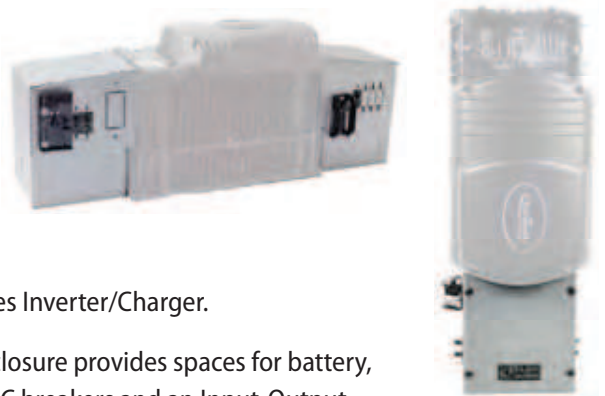
FLEXware Integration Enclosures and Hardware

FLEXware 250 Enclosure

FLEXware™ 250 Integration Hardware

Designed for applications with moderate power requirements such as cabins, chalets, homes, remote communication sites and back-up power systems, the FLEXware 250 accommodates all essential protective devices in the smallest possible space and at the lowest installed cost. With their extremely compact design and unique mounting features, one or two FLEXware 250 enclosures can be mounted on each end of a single FX Series Inverter/Charger.

The powder-coated aluminum and ETL-listed (UL 1741) FLEXware 250 enclosure provides spaces for battery, PV array or PV GFDI breakers and mounting locations for AC GFCI outlet, AC breakers and an Input-Output-Bypass Assembly. In keeping with FLEXware design concept, the FLEXware 250's flexibility is evident in the generous number of knock-outs allowing the installation of conduit, cable glands, and other installation accessories.

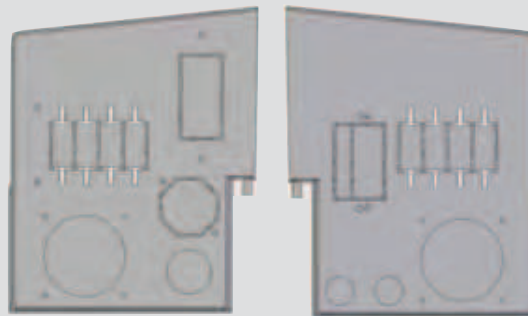


Breaker Configuration Diagram

Holds up to four 0.75" (19 mm) wide AC rated panel mount breakers (not included with bare chassis) rated for 1-60 amps AC current. Provision for optional AC Input-Output-Bypass assembly. Holds one 120 V U.S. outlet receptacle or one 230 V European outlet receptacle.

New feature includes:

Terminal busbar to accommodate an isolated neutral bus in AC applications.



AC Side

DC Side

Holds up to four 0.75" (19 mm) wide DC rated panel mount breakers (not included with bare chassis) rated for 1-80 amps of DC current. Holds one 1.5" (39 mm) wide 175 or 250 amp breaker, or one 1.02" (26 mm) wide 100 or 125 amp breaker. Includes large DC breaker handle guard.

New feature includes:

DC negative bus for DC applications.

Knockout Location Diagram

AC Side

- (1) 2" knockout (2.468" diameter)
- (1) 1" knockout (1.359" diameter)

DC side

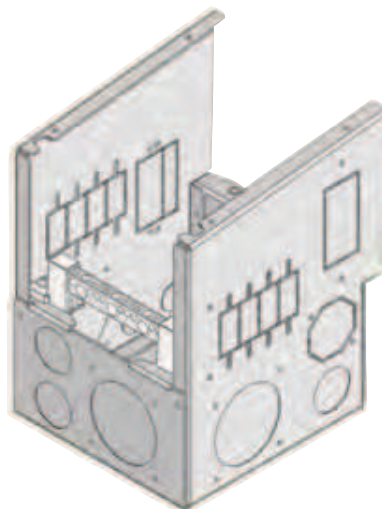
- (1) 2" knockout (2.468" diameter)
- (2) ½" knockout (0.875" diameter)

Front

- (1) 2" knockout (2.468" diameter)
- (2) 1" knockout (1.359" diameter)

Bottom

- (1) 1/2" knockout (.875" diameter)





FLEXware Integration Enclosures and Hardware

FLEXware 250 Enclosure

FLEXware 250

Model: FW250

Description: DC and/or AC breaker enclosure for one FX Series Inverter/Charger

Includes: Ground bus-bar, DC breaker handle guard, breaker mounting hardware and enclosure mounting hardware

Unit Dimensions (H x W x D)	Shipping Dimensions (H x W x L)	Shipping Weight	Enclosure Type
7.5 x 6.5 x 8.6" (19.1 x 16.5 x 21.8 cm)	9.75 x 8.4 x 11.6" (24.8 x 21.3 x 29.5 cm)	5 lbs (2.3 kg)	Type-1 indoor (IP30)

Holds up to eight 1 to 80A, one 175 or 250A panel mount breaker and a GFCI AC outlet (not included).

- Does not use the DCA or FW-ACA for connection to an FX Series Inverter/Charger.
- DC current shunt not included

FLEXware 250 AC Input-Output-Bypass Assemblies

Field-installable kit for by-passing the AC input to the AC output for inverter maintenance, testing or installation. Also provides over-current protection for AC input and output.

Model: FW-IOBS-120VAC

Includes: Three 60A 120VAC single pole PANEL mount breakers, sliding bypass interlock plate, wire and hardware kit

System Rating	Bypass Breaker	Input Breaker	Output Breaker
Single-Phase 120VAC 60A 7.2kW	One Pole @ 60A 7.2kW	One Pole @ 60A 7.2kW	One Pole @ 60A 7.2kW

Model: FW-IOBS-230VAC

Includes: Three 30A 230VAC single pole PANEL mount breakers, sliding bypass interlock plate, wire and hardware kit

System Rating	Bypass Breaker	Input Breaker	Output Breaker
Single-Phase 230VAC 30A 6.9kW	One Pole @ 30A 6.9kW	One Pole @ 30A 6.9kW	One Pole @ 30A 6.9kW

Sample Bill of Materials

FW250 With FW-IOBS-120VAC

Example of system with one VFX3524 OutBack Power Inverter/Charger

Part #	Description	Qty
VFX3524 Inverter/Charger	3500W, 24VDC, 85A charger, 60 amps AC input	1
FW250	DC and/or AC breaker enclosure – secures directly to either end of an FX Series Inverter/Charger.	2
PNL-175-DC	175A, 125VDC, 3/8" stud terminals	1
FW-IOBS-120VAC	Single inverter Input-Output-Bypass for FW250 only	1
MATE	System Display and Controller	1
HUB4	Four Port, Up to 4 devices and one MATE	1
FW-SHUNT250	500A 50mV DC current shunt with attached terminal bus bar for mounting on top of an FX Series Inverter/Charger	1
FW-Cable175-15R	175A 2/0 AWG DC cable 15 inches (38 cm) long with ring terminals on both ends with red heat shrink	1

FW250 With FW-IOBS-230VAC

Example of system with one VFX3024E OutBack Power Inverter/Charger

Part #	Description	Qty
VFX3024E	3000W, 24VDC, 85A DC charger, 30 amps AC input	1
FW250	DC and/or AC breaker enclosure - secures directly to either end of an FX Series Inverter/Charger	2
PNL-250-DC	250A, 125VDC, 3/8" stud terminals	1
FW-IOBS-230VAC	Single inverter Input-Output-Bypass for FW250 only	1
MATE	System Display and Controller	1
HUB4	Four Port, up to 4 devices and one MATE	1
FW-SHUNT250	500A 50mV DC current shunt with attached terminal bus bar for mounting on top of an FX Series Inverter/Charger	1
FW-Cable250-15R	250A, 4/0 AWG DC cable 15 inches (38 cm) long with ring terminals on both ends with red heat shrink	1

This information is a sample only – additional system configurations and components are available.