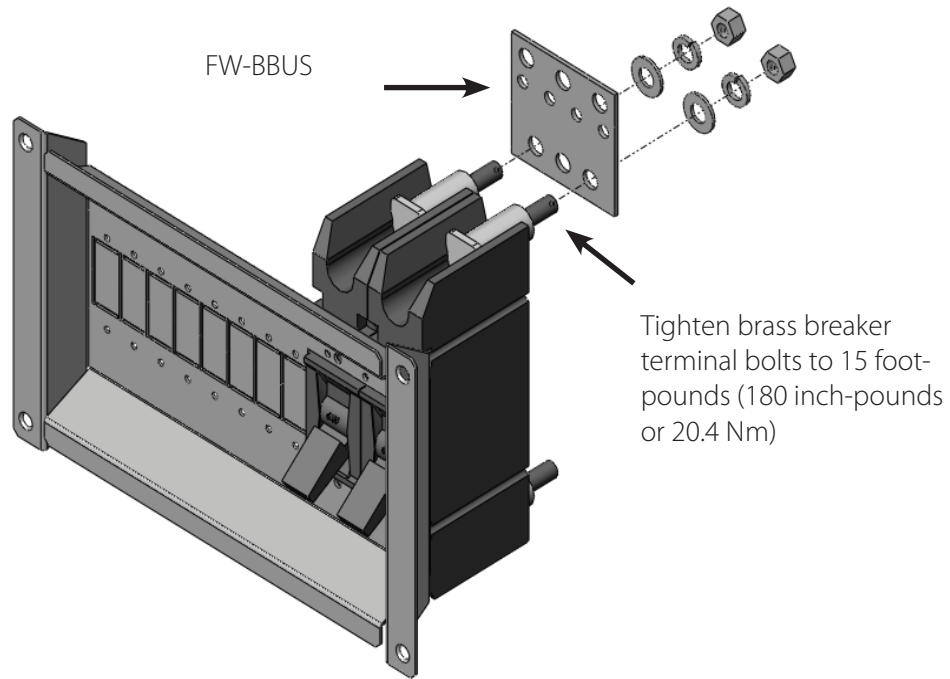


The FW-BBUS can be connected directly to DC breakers or up to three individual shunts.

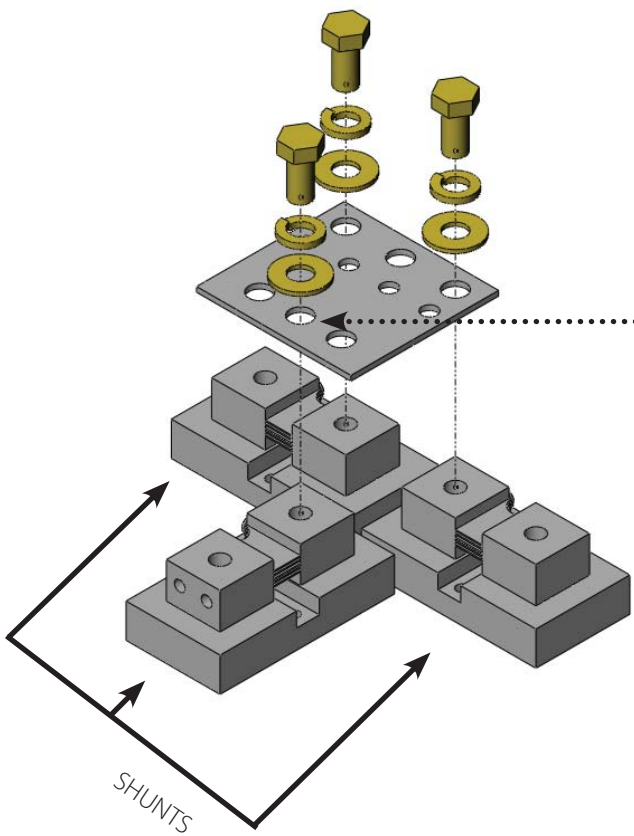


The FW-BBUS accommodates the following combinations of DC breakers:

- Two 175A (each 1.5" wide)
- Two 250A (each 1.5" wide)
- Three 100A to 125A (each 1.0" wide)
- Four 1-80A (each 0.5" wide)

Torque Values

Breaker	IN LBS	FT LBS	NM
100A & lower	30-35	2.5-2.9	3.4-4.0
125A	50	4.17	5.67
175A & 250A	220-230	18.33-19.16	24.9-26.0



The FW-BBUS combines up to three individual shunts.

